



Black: GRHIEBTTWSBK01



User Guide

Congratulations on your purchase!

Dear Grixx product owner,

Thank you for your trust in Grixx and the purchase of the True Wireless Headphones.

These True Wireless Headphones enable you to listen to your favorite music without being obstructed by cables. The sound is equally distributed between the left and right channels so that the lack of cables is not at the expense of the sound quality. The integrated microphone allows you to easily switch from listening to music and answering phone calls.

As an owner of a Grixx product you are entitled to our warranty, which is available to you for 2 years after your purchase. For any questions or problems please contact warranty@grixx.eu. We are happy to help you and solve any issues.

Enjoy many hours of listening to your favorite music, books, podcasts and calls with friends or family with this product.

Happy Times!

Content

Safety warning	4
Specifications	4
In the box	4
Buttons & indicators	4
How to use	5
Pairing	5
Power on / Power off	5
Play / Pause	6
Next track	6
Phone functions	6
Charging	6
Battery low	6
Cleaning	7
Caution	7
Environmental information	8
Disposal	8
Compliance	9
Social compliance	9
About Grixx	10

Grixx User Guide

Safety warning

Listening to music at full volume for an extended period of time may damage your hearing. Please be cautious with volume levels.

Specifications

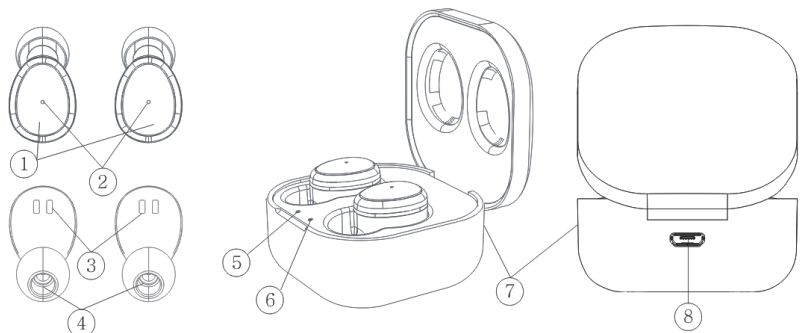
Driver unit	Dynamic 6mm
Driver material	Neodymium N42
Bluetooth version	5.0
Wireless range	10 mtr
Battery type	Lithium 2 x 45 mAh (headphones) / Lithium 400 mAh (charging case)
Battery life	up to 3 hrs (headphones) / up to 9 hrs (charging case)
Charging time	40 min (headphones) / 2 hrs (charging case)
Standby time	up to 240 hrs
Frequency response range	20 Hz - 20 kHz
Impedance	16Ω
Sound level	98 ± 3dB
Sensitivity	98 ± 3dB
Channel matching	yes
Harmonic distortion	≤ 5% THD
Rated power	3mW
Maximum power	5mW
Mic sensitivity	-42db
Mic frequency range	30 Hz - 10 kHz
Mic directivity	Directional
Remote control	Yes
Weight	55 gr

In the box

- 2 x True Wireless In-ear headphones
- 1 x Charging case
- 1 x Micro USB charging cable
- 2 x Additional ear caps

Buttons & indicators

1. Multi-functions button
2. LED indicator / Microphone
3. Charging connection
4. Speaker
5. Headphones charging indicator
6. Charging case LED indicator
7. Headphones charging case
8. Micro USB charging port



Note

Please read this instruction manual carefully before using this product. When you use this product for the first time, please fully charge the charging case.

Grixx User Guide

How to use

Bluetooth pairing

Two ear-pieces mode

For the first usage the 2 headphones need to interconnect.

Take out both headphones/earbuds from the charging case, they will be turned on automatically.

Now the headphones will start to connect for about 5 seconds.

One of the headphones will flash with red and blue lights and the other headphone will flash with a blue light. This means that the interconnection between the 2 headphones is successful.

If the light on the headphone does not flash you can press the multi-function button for about a second, the blue light will flash for power on.

If it still does not turn on, this means the headphone is out of power; please put it back in the charging case to charge.

To pair (connect) the headphones with your device, turn on the Bluetooth device search on your device (smartphone, tablet, PC, etc) and select 'Grixx TWS'.

The blue light on the headphone flashes once every 5 seconds when the pairing is successful.

If you can not find the device name 'Grixx TWS' during the device search, please make sure the headphones are in the pairing mode at the same time when you trigger the Bluetooth device search.

If you can not find the 'Grixx TWS' turn off the Bluetooth on your device for a moment, and turn it back on.

If you can find the 'Grixx TWS' on your Bluetooth device search, but cannot pair it than double check if the headphones are already paired with another device, than disconnect these.

Bluetooth pairing

Single ear-piece mode

Pick up a single headphone/earbud and it will enter into the pairing (connecting) mode in about 5 seconds after starting up.

The headphone will flash with red and blue lights. Turn on the Bluetooth device search on your device (smartphone, tablet, PC, etc) and select 'Grixx TWS' to connect. The blue light on the headphone flashes once every 5 seconds when the pairing is successful.

Power on / Power off

• Power on

Once you take the headphones out of the charging case they will turn on automatically, they will flash red and blue lights.

If the headphones are not in the charging case, you can long press the multi-function button to turn them on.

• Power off

Once you put the headphones back in the charging case they will turn off automatically.

Also you can long press the multi-function button for about 3 seconds to turn them off, the red light will flash 3 times.

Play / Pause music

For listening to music you can press the multi-function button shortly to pause, then press it shortly again to resume / start.

Grixx User Guide

Next track

You can move to the next track / song by pressing the multi-function button for more than 1 second.

Phone functions

- **Redial**

Double click the multi-function button to redial the last number used.

- **Answer incoming call**

Shortly press the multi-function button

- **Reject incoming call**

Press the multi-function button for 2 seconds.

- **End call**

Press the multi-function button shortly.

Charging

Charging Case

First time: Remove the insulating tape.

Plug the included cable into the Micro USB port of the case and connect it to the charger or the USB port of your computer

Headphones

Put the headphones in the charging case. The blue light on the side of the case will be on and the red light on the headphones will be on as well.

When the headphones are fully charged the lights will go out.

If the headphones are in the case and are not being charged, make sure the charging case is already charged or being charged at the same time.

Battery low

If the battery runs low, you will hear a voice prompt 'Low Battery'.

Grixx User Guide

Cleaning

It is important to clean the ear tips and earbuds of all Grixx in-ear headphones and headsets, including the fine mesh screens on each earbud.

This helps to ensure the best audio performance. Even a small amount of debris can cause the sound to fade or cut out altogether.

To clean the ear tips, remove them from the earbuds and wash them with mild soap.

Make sure you thoroughly rinse and dry them with a soft cloth (allow them to completely dry before reattaching them to the earbuds).

To clean the earbuds, remove the ear tips from the earbuds and lightly brush the mesh screens with a soft dry cloth (be careful not to push ear wax into the mesh surface or port hole).

Then re-attach the ear tips.

To clean the charging case, remove the earphones and clean softly with a soft dry cloth.

Caution

- Do not dismantle the product without expertise, this may damage the products or cause fire.
- Do not use the product during thunderstorms.
- Do not place the LED indicator directly in front of your eyes.
- Do not use in a hot humid environment.
- Do not put the product in water.
- Obstacles, such as walls, may reduce the Bluetooth range.
- Do not dispose the battery to fire, as it may cause explosion.
- Keep away from small children.

Grixx User Guide

Environmental information



All unnecessary packaging has been omitted. We have tried to make the packaging easy to separate into two materials: cardboard and plastic. The whole product packaging consists of materials which can be recycled and reused if disassembled by a specialized company. Please observe the local regulations regarding the disposal of packaging materials and old equipment.



This symbol on packaging signifies that the producer has made a financial contribution towards the recovery and recycling of packaging.

Disposal of your old product

Your product is designed and manufactured with high quality materials and components, which can be recycled and reused.

The battery is recyclable, do not dispose of the battery in fire as it may cause explosion.



This symbol on a product means that the product is covered by European Directive 2012/19/EU and cannot be disposed of with normal household waste. We strongly advise you to take your product to an official collection point. Inform yourself about the local separate collection system for electrical and electronic products. Follow local rules and never dispose of the product with normal household waste. Correct disposal of old products helps prevent negative consequences for the environment and human health.

Grixx User Guide

Compliance

Compliant with CE



This symbol means that the product is compliant with health, safety, and environmental protection standards for products sold within the European Economic Area. The product is manufactured in accordance with provisions imposed by EMC (Electromagnetic Compatibility) and RoHS (Restriction of Hazardous Substances) Directives. To minimize the environmental impact and take more responsibility to the earth we live on, the product complies with the restriction of SVHC (Substances of Very High Concern) and REACH (Registration, Evaluation, Authorization, and Restriction of Chemicals) regulated by the European Union.

Social Compliance

Grixx endorses the importance of equal and good working conditions for everyone within the production chain. That is why the manufacturer of this product is BSCI and /or SA8000 certified. This means that this product is designed and produced in a community that adheres to ethical sustainability and endeavors to protect the health, safety, and rights of the employees and environment in which they operate.

The producer follows the rules based, among others, on the United Nations' International Labor Organization (ILO) 'code of conduct' and the Human Rights Declaration. The main principles affiliated with the social compliance include:

- No discrimination
- No child labor
- Legal minimum wages
- Protection on the number of hours people have to work
- No forced labor
- Safe working environment
- Measures against corruption

Having the Grixx product manufactured in compliance with social sustainability values, where high standards are required of the supplier, helps contribute to the people involved in production of the product being treated fair, with dignity and respect.

For more information go to <https://www.amfori.org/>



Grixx User Guide

About Grixx

Grixx offers a complete range of mobile accessories that enable users to optimize the use of their mobile device. Each product offers great value for money and is developed and produced with respect for the environment, people and working conditions.

The range contains – amongst others – headphones, powerbanks, (wireless) chargers, sync & charge cables and many more!

For more information and more products please go to www.grixx.eu.

Grixx and the Grixx logo are registered trademarks of Leli Group Holding B.V.; Leli Group Holding B.V. is the warrantor in relation to this product.

The logo for Grixx, featuring the word "GRIXX" in a bold, black, sans-serif font. The letter "X" is stylized with a small diamond shape at its top right corner.